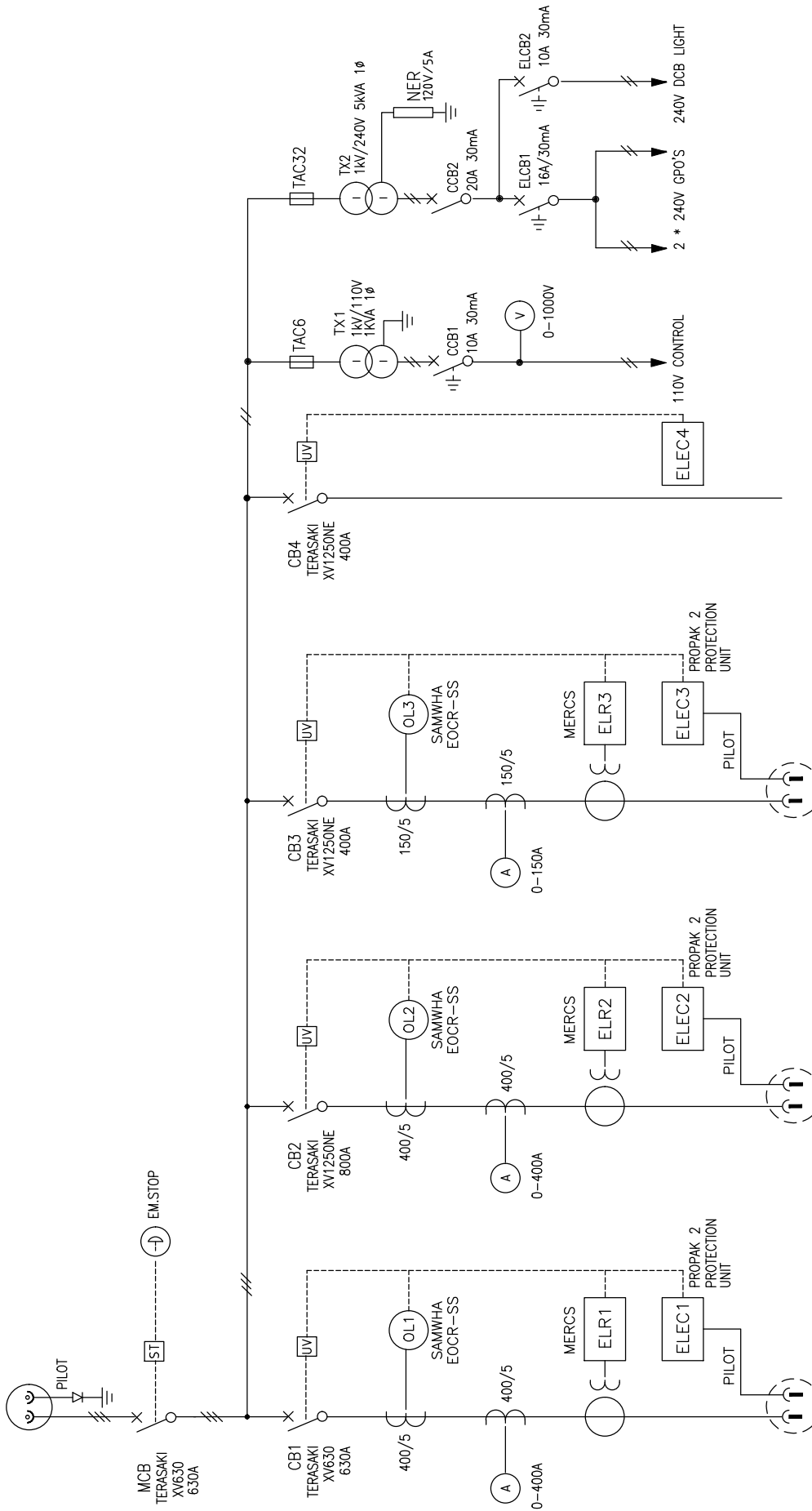


1000V INCOMING SUPPLY
425A RTR



GLANDED

OUTLET 3
150A RTR
BOLTER - 150kW
SHOTCRETER - 135kW

OUTLET 2
425A RTR
ROAD HEADER
460kW

SYDNEY METRO
(TSE)
SITE EQUIP No.
VXS-DCB-02

Customer Drawing Number	Revision
DCB051	4
Drawing Number	Sheet
DCB051	00

PBE RUTHERFORD AUSTRALIA
DCB051
1,000V 4 OUTLET NON-FLAMEPROOF
SINGLE LINE DIAGRAM

Drawn	CHK	Date
Designed	FR	Date
Checked	FR	Date
Approved	FR	Date
Scale		

PBE RUTHERFORD MINING PTY LTD
301 Sneyd Avenue
Tomago NSW 2322
PH: 4964 9619
FAX: 4964 8611



JF	SS	RM	14/08/18
AH	SS	RM	14/07/18
PK	FR	FR	22/02/09
FR	FR	FR	23/02/09

4 AS BUILT FOR SYDNEY METRO PROJECT - 60149 3 FOR CONSTRUCTION FOR SYDNEY METRO PROJECT - 60149 2 AS BUILT FOR 600 NO. 244 1 AS BUILT A FIRST ISSUE	By	Check/Appro	Date

Detail of Revisions