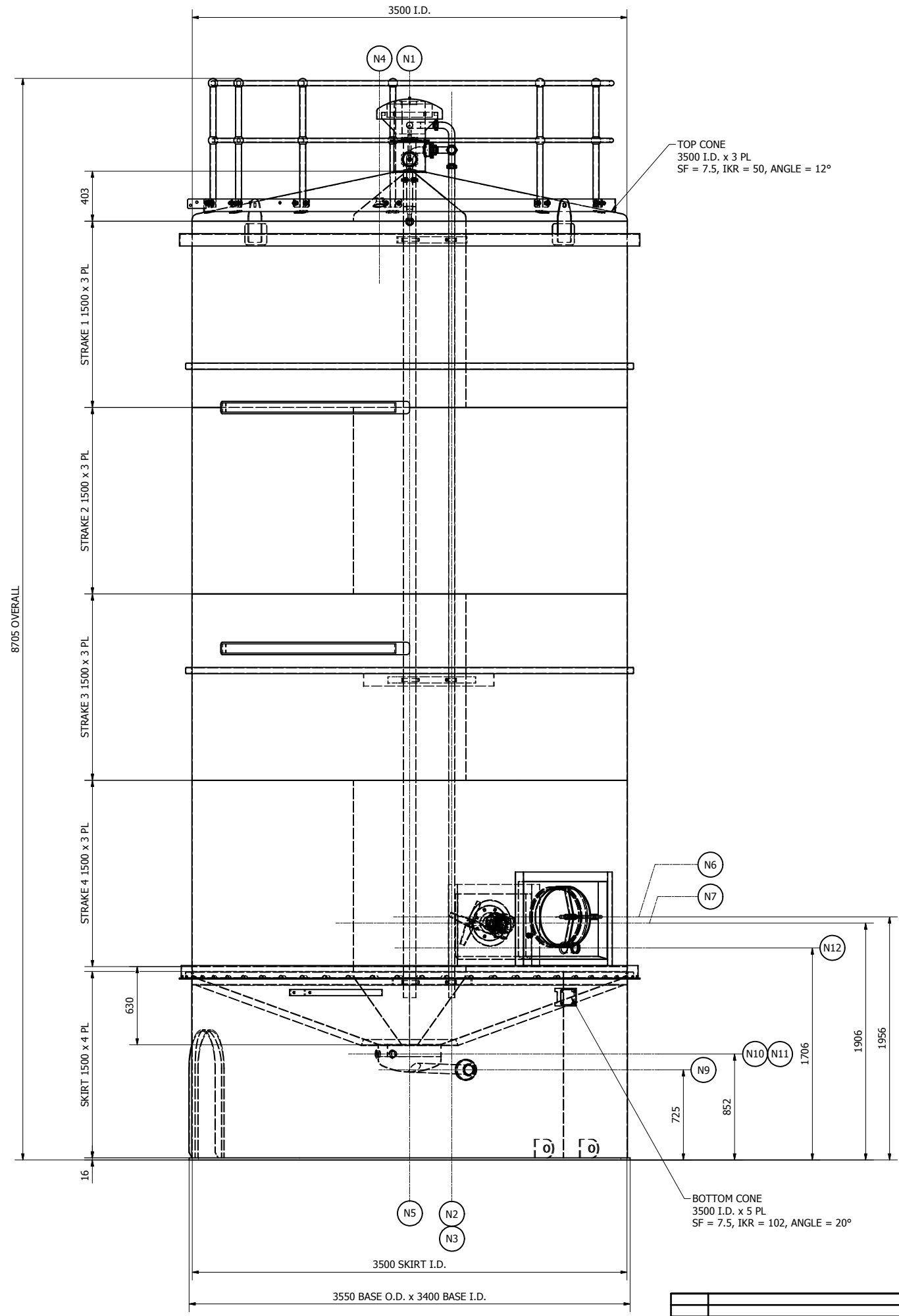


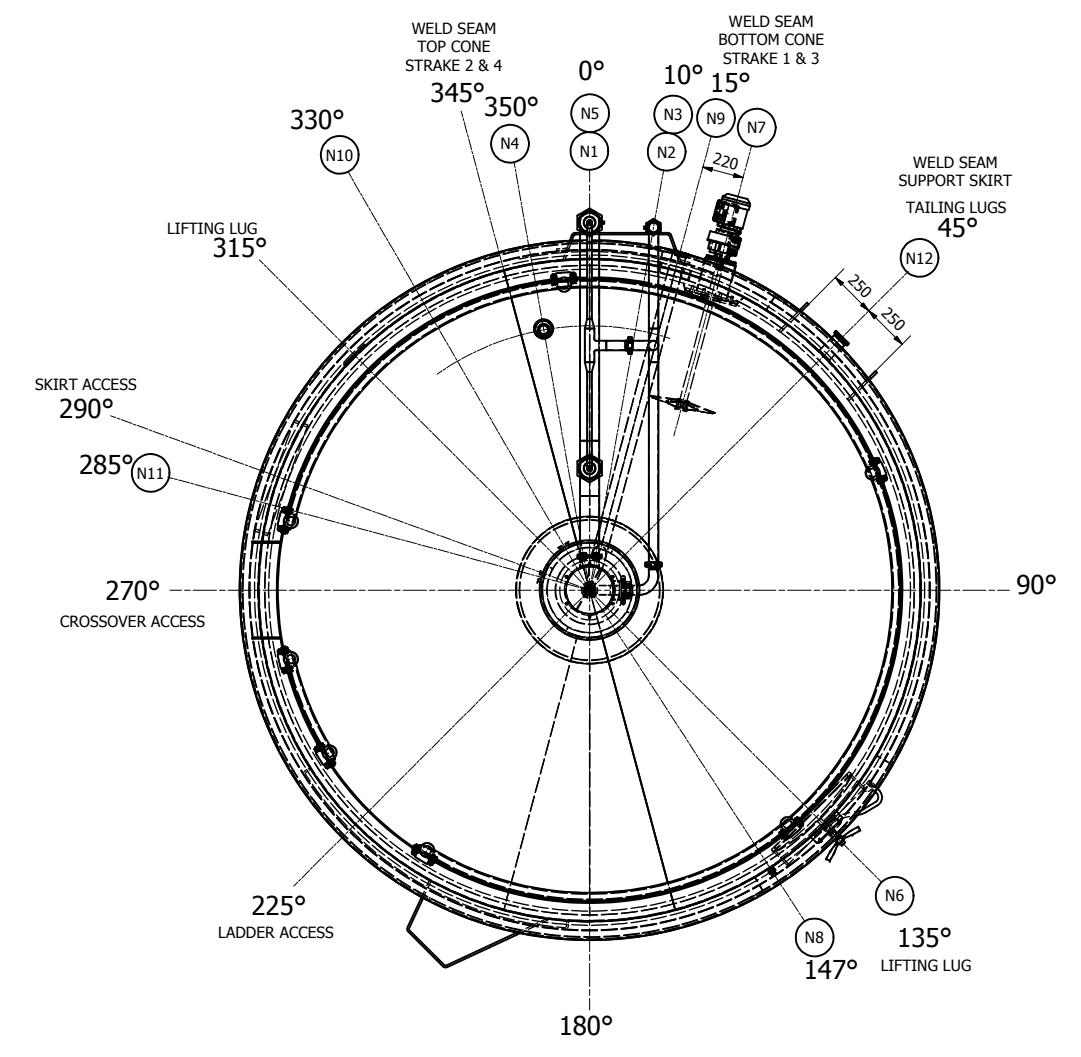




NOZZLE SCHEDULE					
NOZZLE	SIZE	SCH	FITTING	SERVICE	
N1	-	-	250DIA STD OTA VENT	VENT	
N2	50.8	1.6	RAW TUBE	SILO CIP	
N3	-	-	BRANCHED FROM NOZZLE N2	OVERFLOW CIP	
N4	50.8	-	TRICLOVER FERRULE	HIGH LEVEL	
N5	101.6	1.6	RAW TUBE	OVERFLOW	
N6	-	-	SUDMO A29 MANWAY	MANWAY	
N7	-	-	CPE DAIRYPRO 70 AGITATOR	AIGITATOR	
N8	-	-	GEORDIE HYGENIC SAMPLE VALVE	SAMPLE VALVE	
N9	76.2	1.6	BSM CIP MALE PART	OUTLET	
N10	50.8	-	TRICLOVER FERRULE	LEVEL TRANSMITTER	
N11	50.8	-	TRICLOVER FERRULE	TEMPERATURE	
N12	76.2	1.6	BSM CIP MALE PART	INLET	



**SIDE ELEVATION - GENERAL ARRANGEMENT**  
SCALE 1:20



**PLAN VIEW - GENERAL ARRANGEMENT**  
SCALE 1:20

**APPROVED FOR CONSTRUCTION**

FIRST REVISION	INTERNAL CO-ORD.	SALES	DESIGN
A	✓	✓	✓
CURRENT REVISION	CHECKED		
2	✓		

DRG No	TITLE	REV	DATE	DESCRIPTION	DRN
	REFERENCE DRAWINGS				

THIRD ANGLE PROJECTION WHERE APPLICABLE. DIMENSIONS ARE IN MILLIMETERS. DO NOT SCALE - IF IN DOUBT ASK.

**FURPHY ENGINEERING**  
SHEPPARTON VICTORIA, AUSTRALIA  
WWW.FURPHY.COM.AU

THIS DRAWING IS THE PROPERTY OF J FURPHY & SONS AND IS NOT TO BE COPIED, REPRODUCED OR HANDED TO ANY THIRD PARTY WITHOUT WRITTEN PERMISSION FROM J FURPHY & SONS

CLIENT: BLACK SWAN FOODS	SCALE: NOTED	SIZE: A1
TITLE: 1 x 60kL RAW MILK SILO ITEM No. C1610-002 GENERAL ARRANGEMENT	DATE: 26/05/2015	CONTRACT No: C1610
	DRG No: FP-7106-3	REV: 2

DRAWN: T.C.A.	SCALE: NOTED	SIZE: A1
DATE: 26/05/2015	CONTRACT No: C1610	
DRG No: FP-7106-3	REV: 2	